

GC0096 Storage Workgroup Definitions & Configurations



Antony Johnson

National Grid – Network Capability

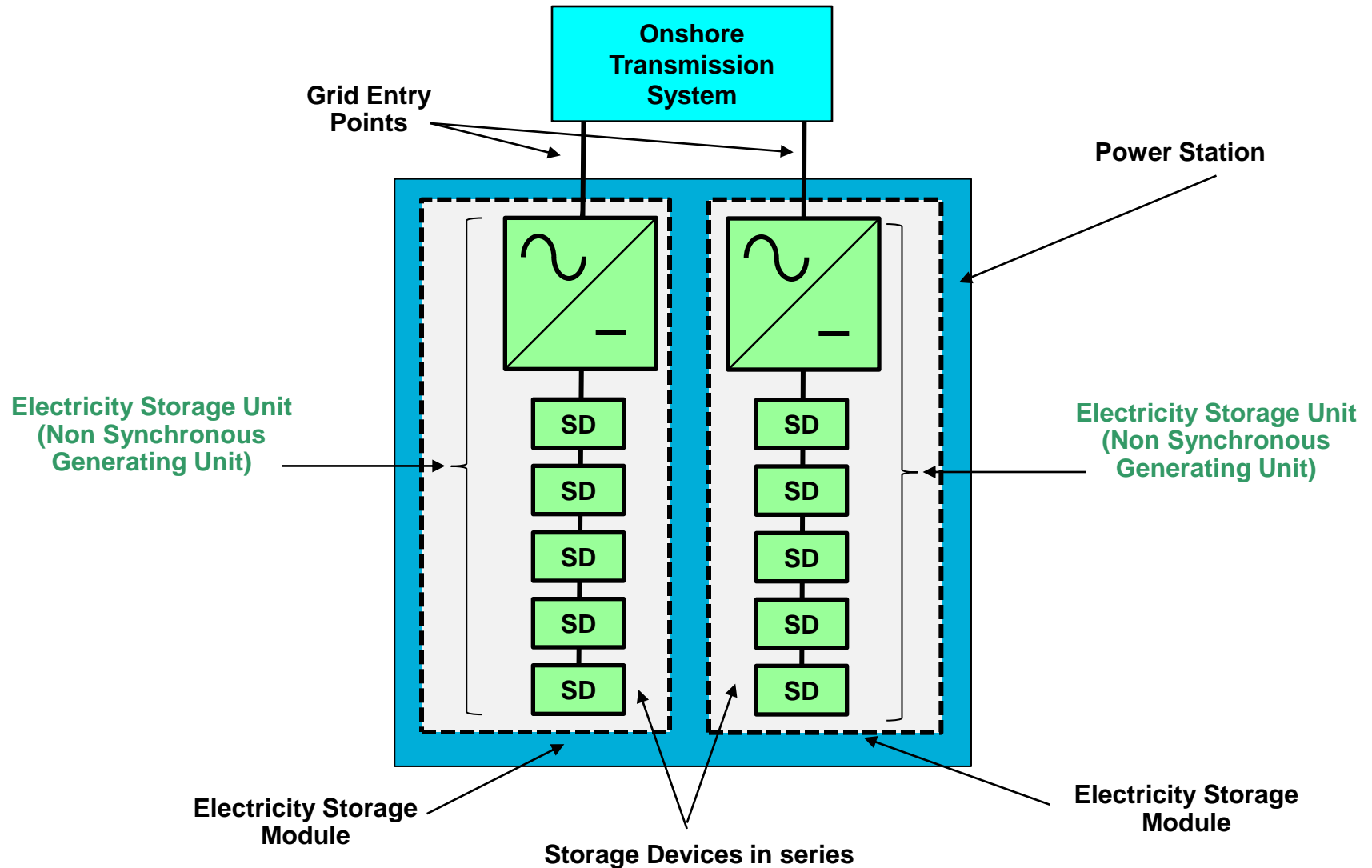
February 2017

Summary

- Definitions have been formulated around the same principles currently used in the Grid Code (eg Power Station, Generating Unit, Electricity Storage Module, Electricity Storage Unit, Power Park Module, etc)
- Configurations and Definitions will largely drive the minimum technical requirements and will ensure consistency with other technologies
- Examples of Various Storage Configurations - for discussion
- EU Implications for Synchronous Power Generating Modules?
- Acknowledgements – Eric Lewis for use of some of the topologies and representations
- Next Steps

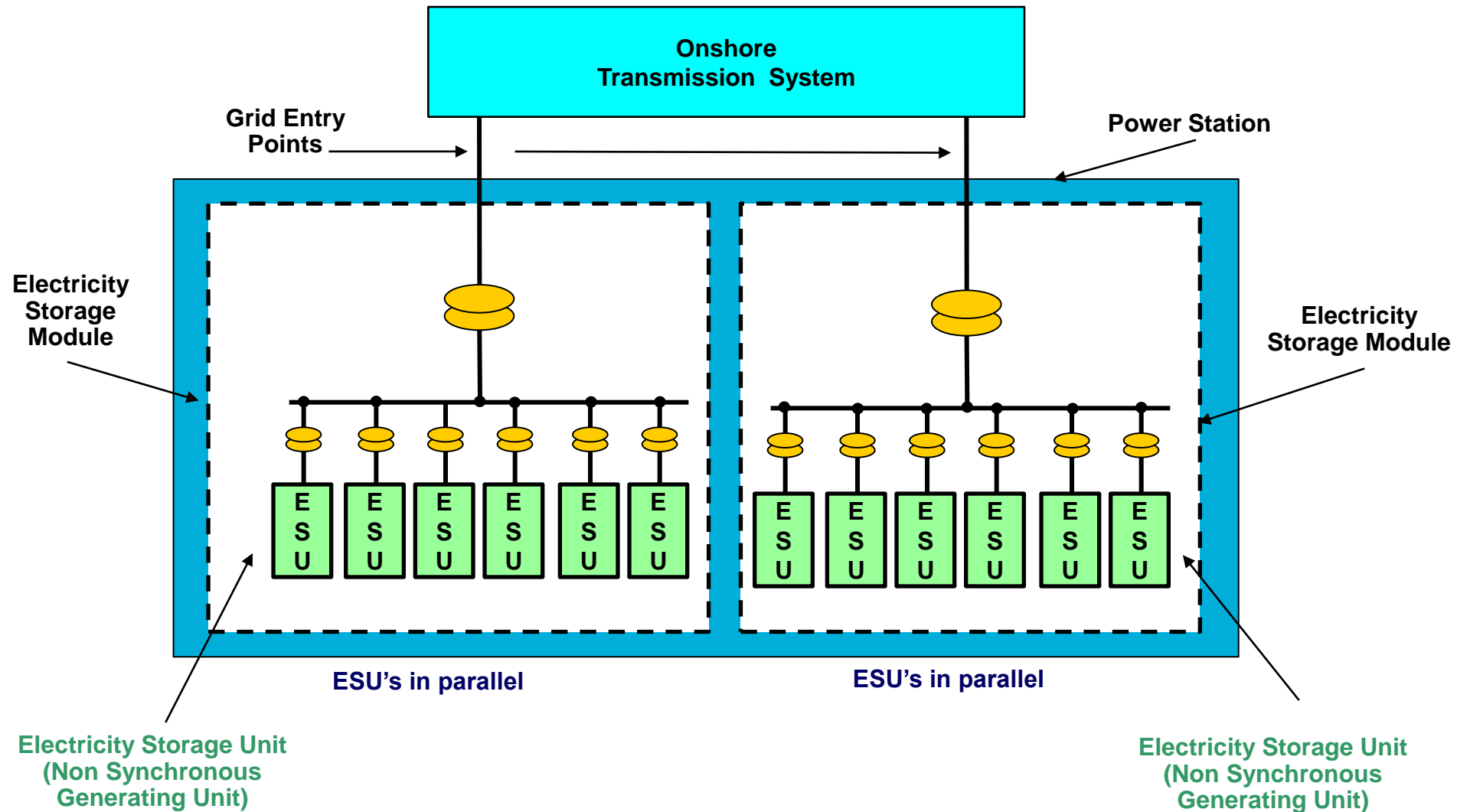
Configurations and Definitions

Series connected Storage Devices with HVDC connection



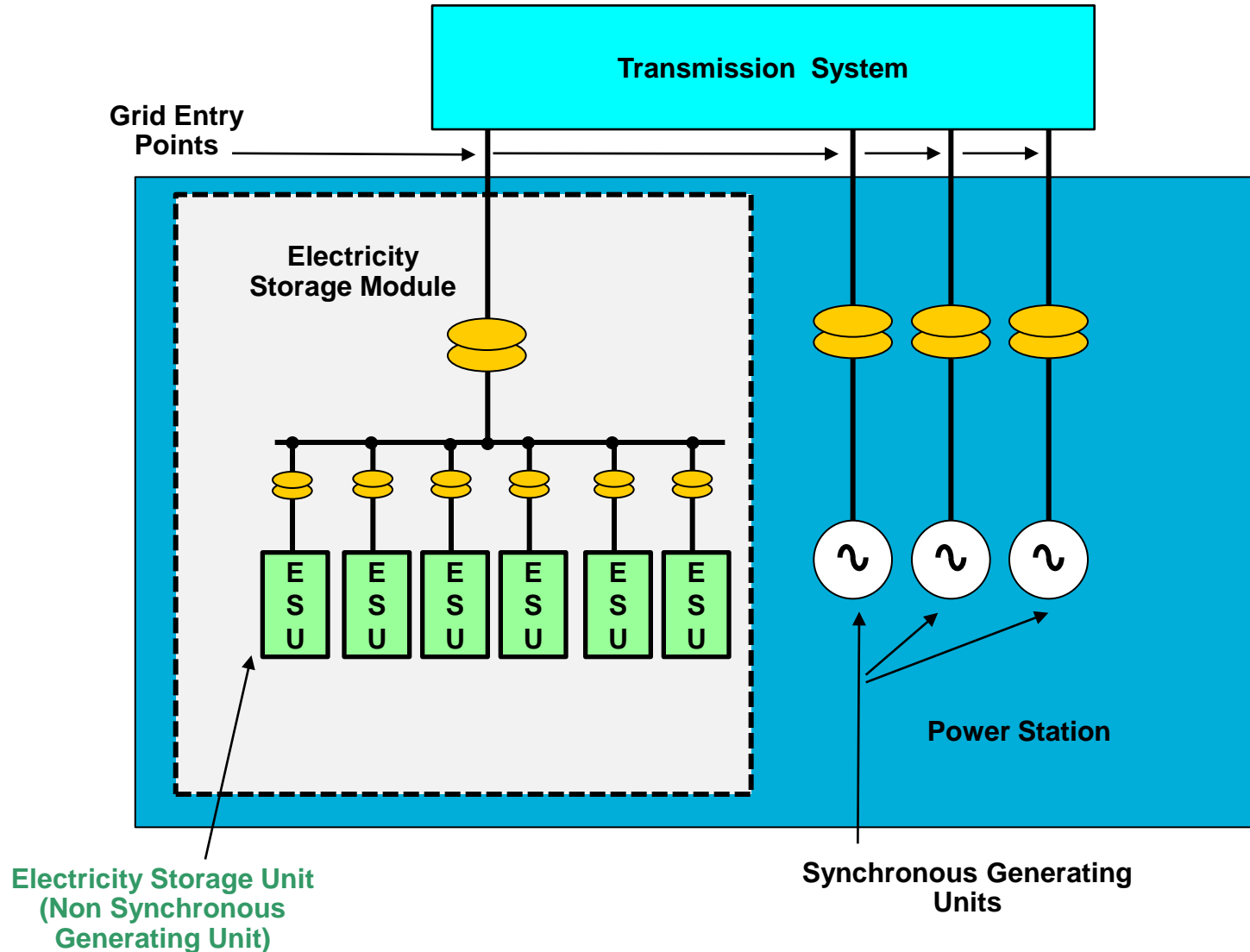
Configurations and Definitions

Parallel connected Electricity Storage Units



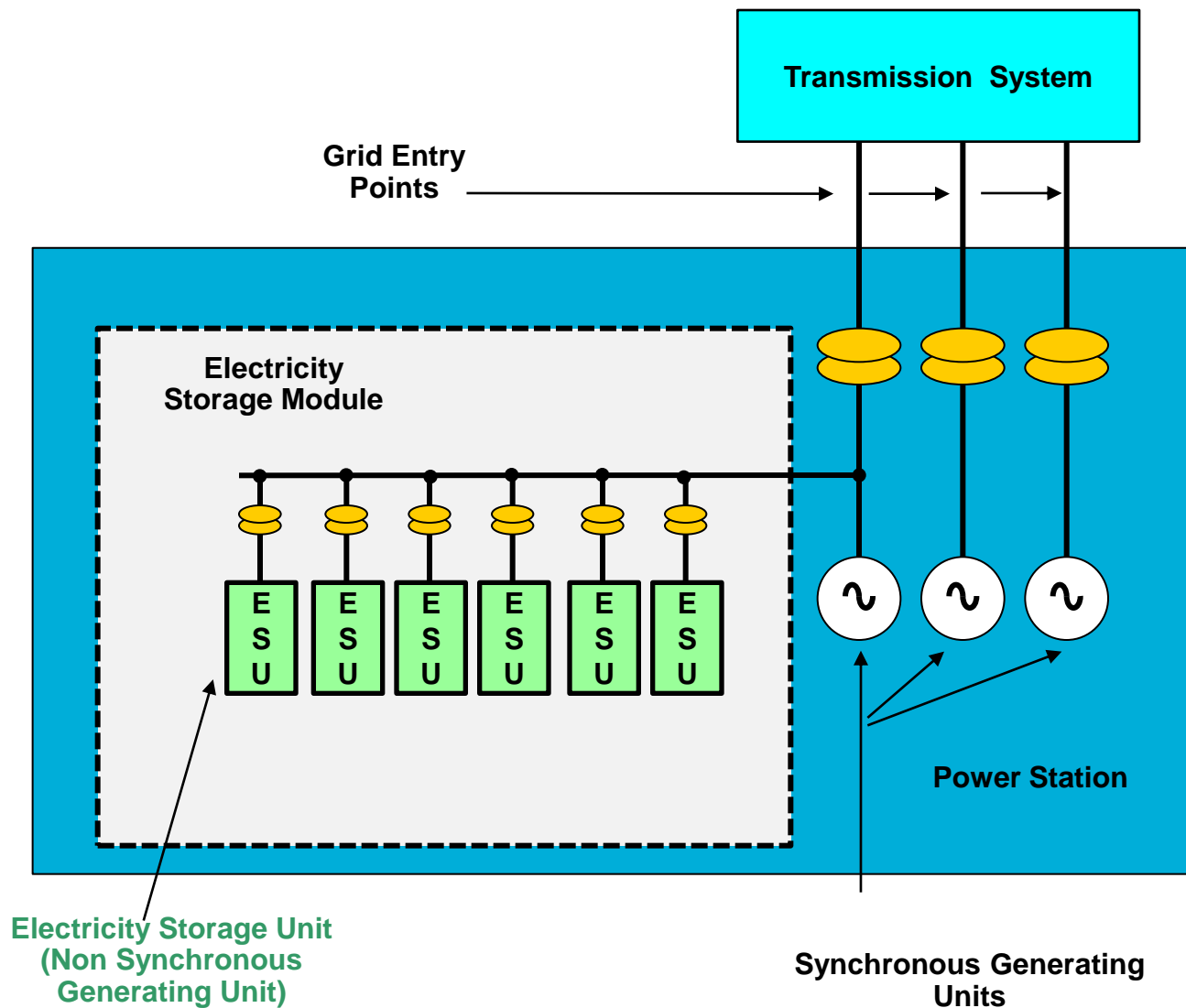
Configurations and Definitions

Electricity Storage Units within a New or existing Power Station with a direct connection



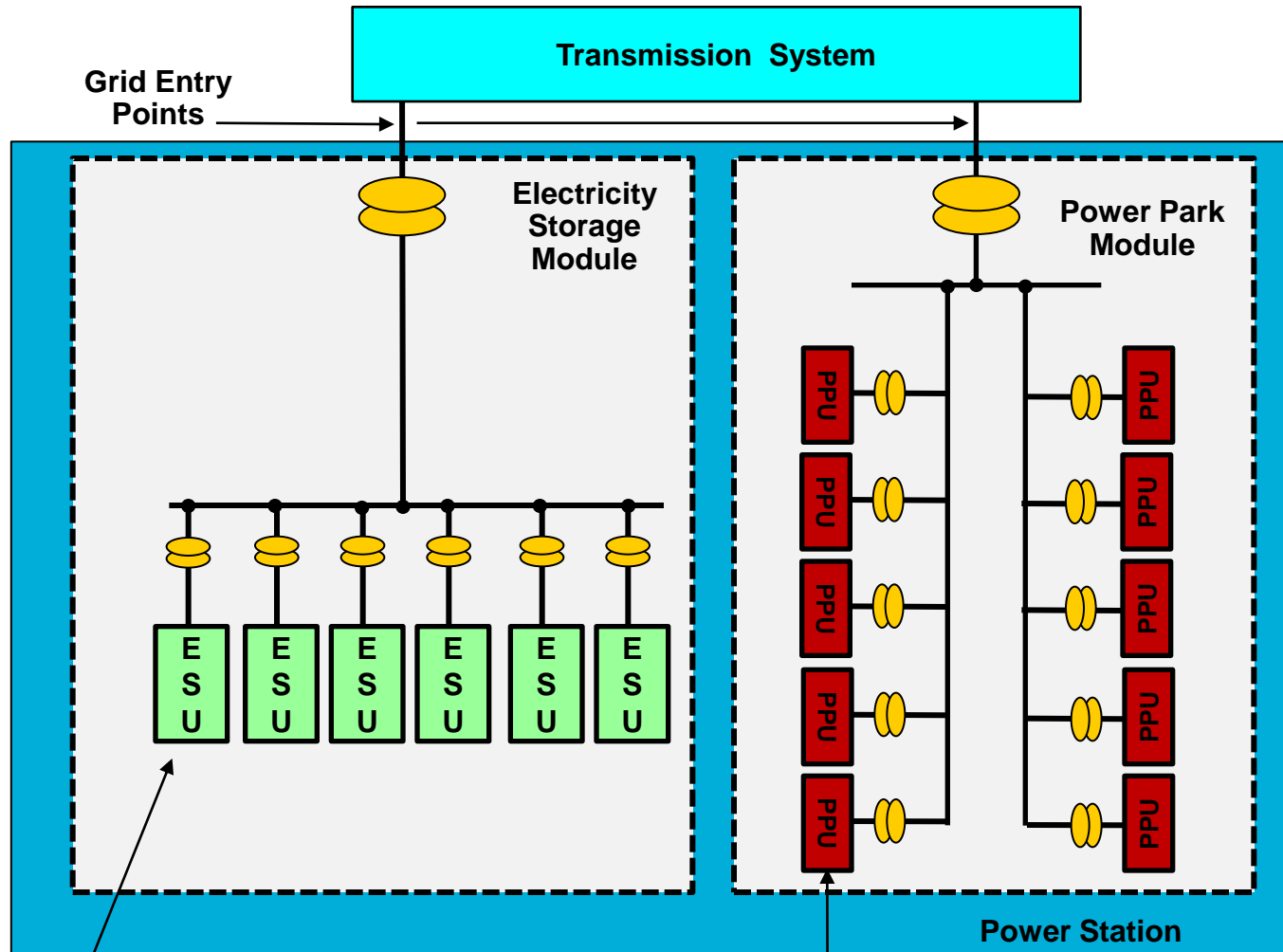
Configurations and Definitions

Electricity Storage Units Integrated within a New or existing Power Station



Configurations and Definitions

Electricity Storage Module and Power Park Modules

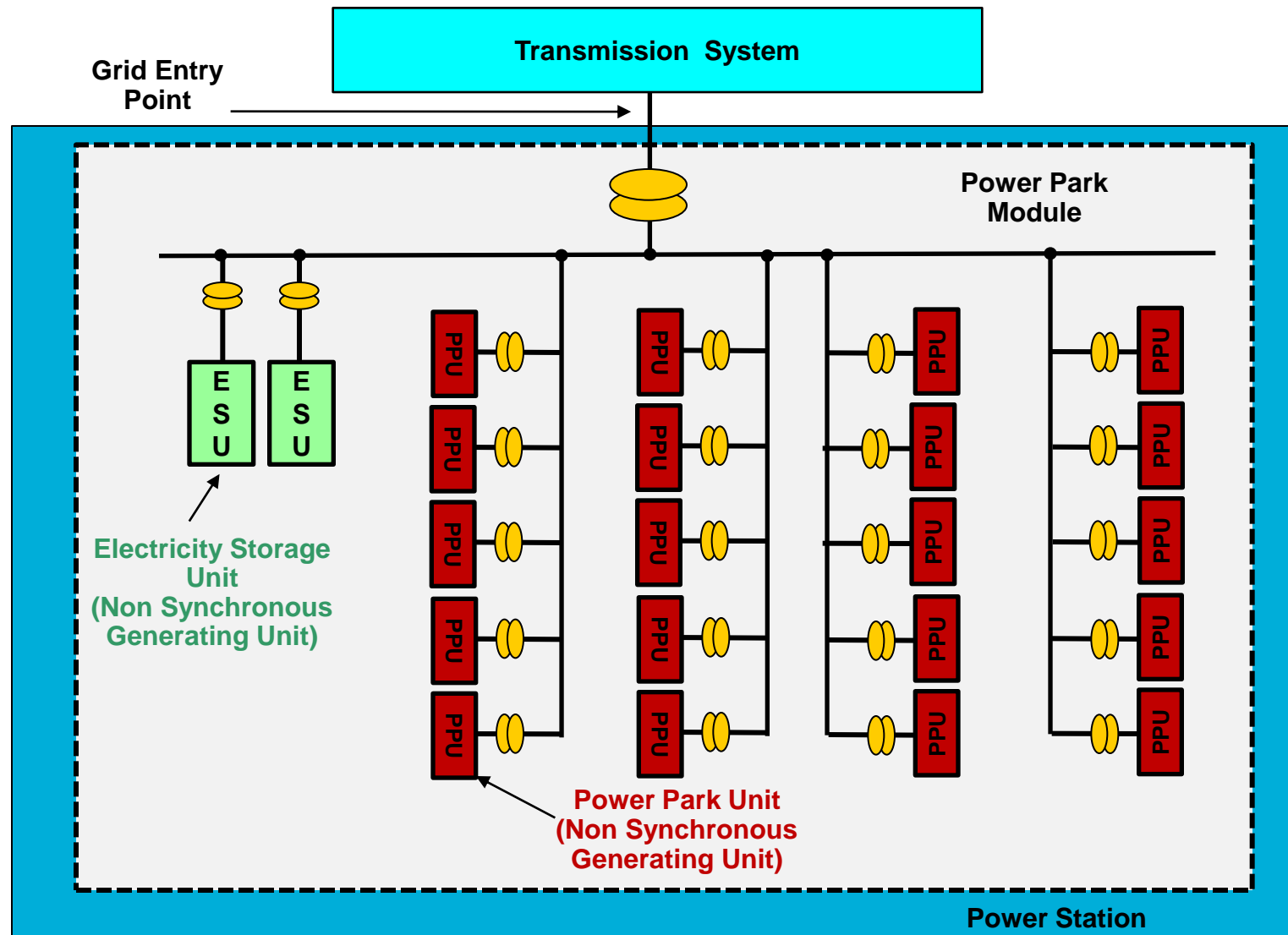


Electricity Storage Unit
(Non Synchronous
Generating Unit)

Power Park Unit
(Non Synchronous
Generating Unit)

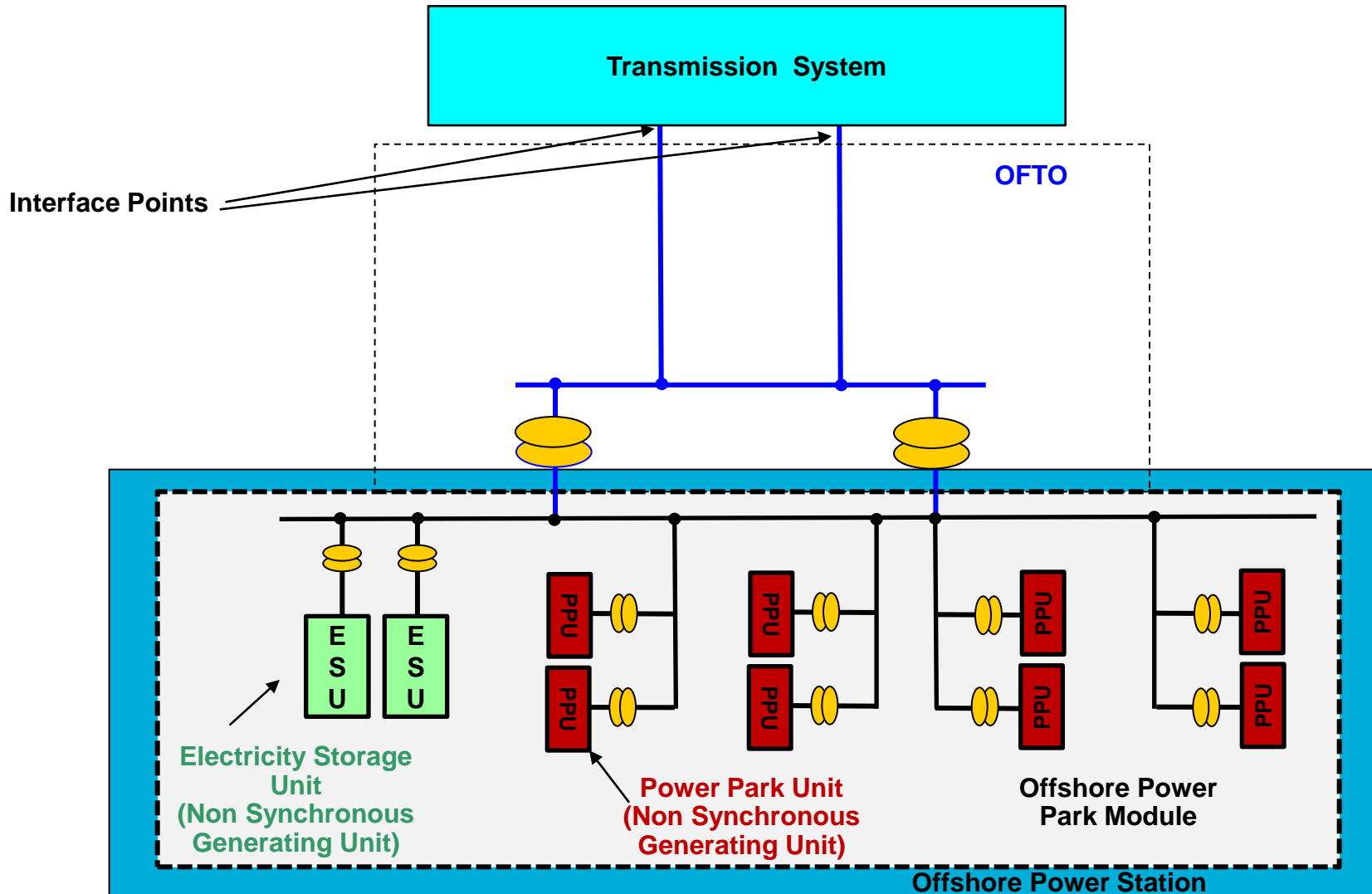
Configurations and Definitions

Electricity Storage Units Integrated into a Power Park Module



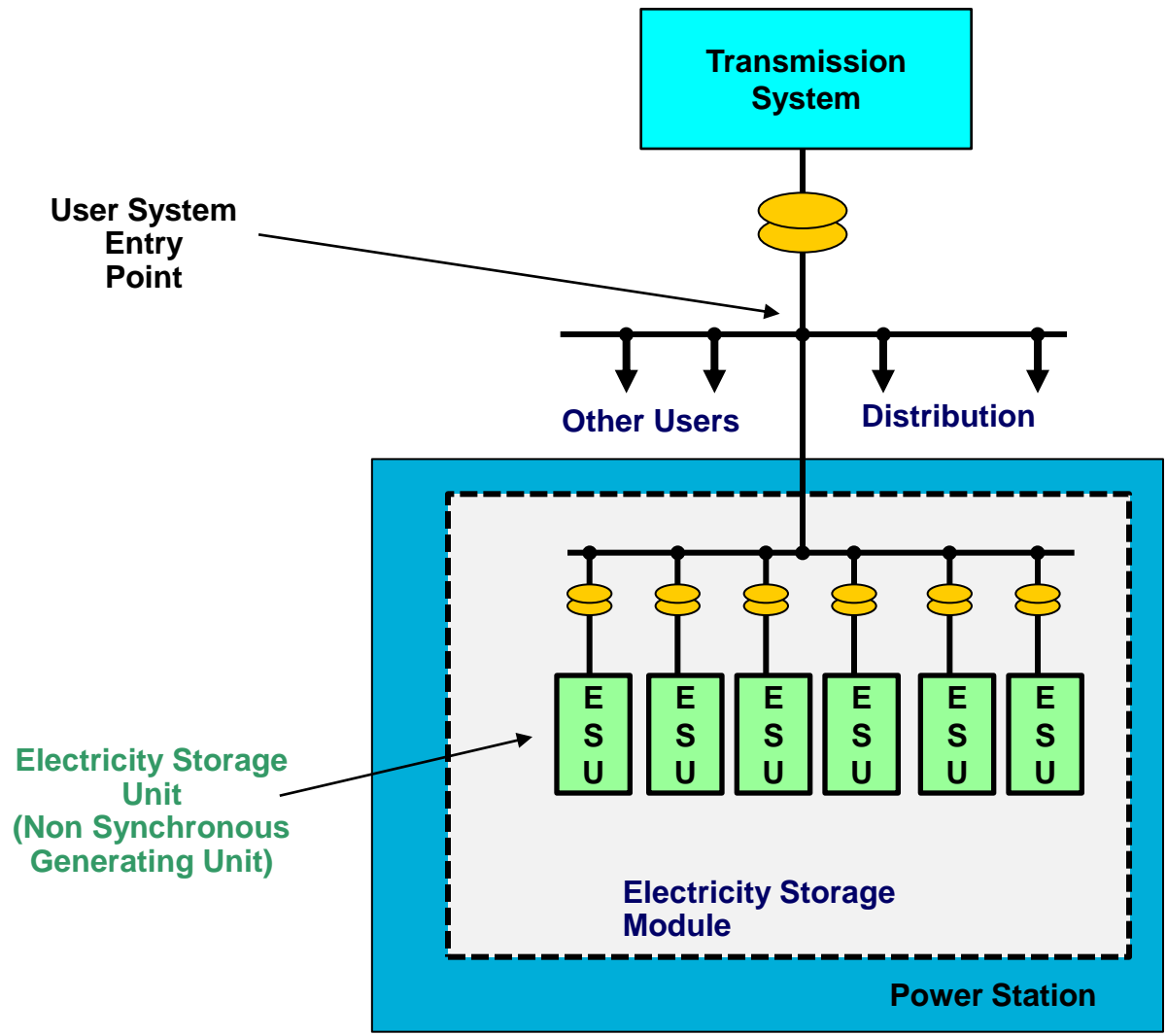
Configurations and Definitions

Offshore Connections



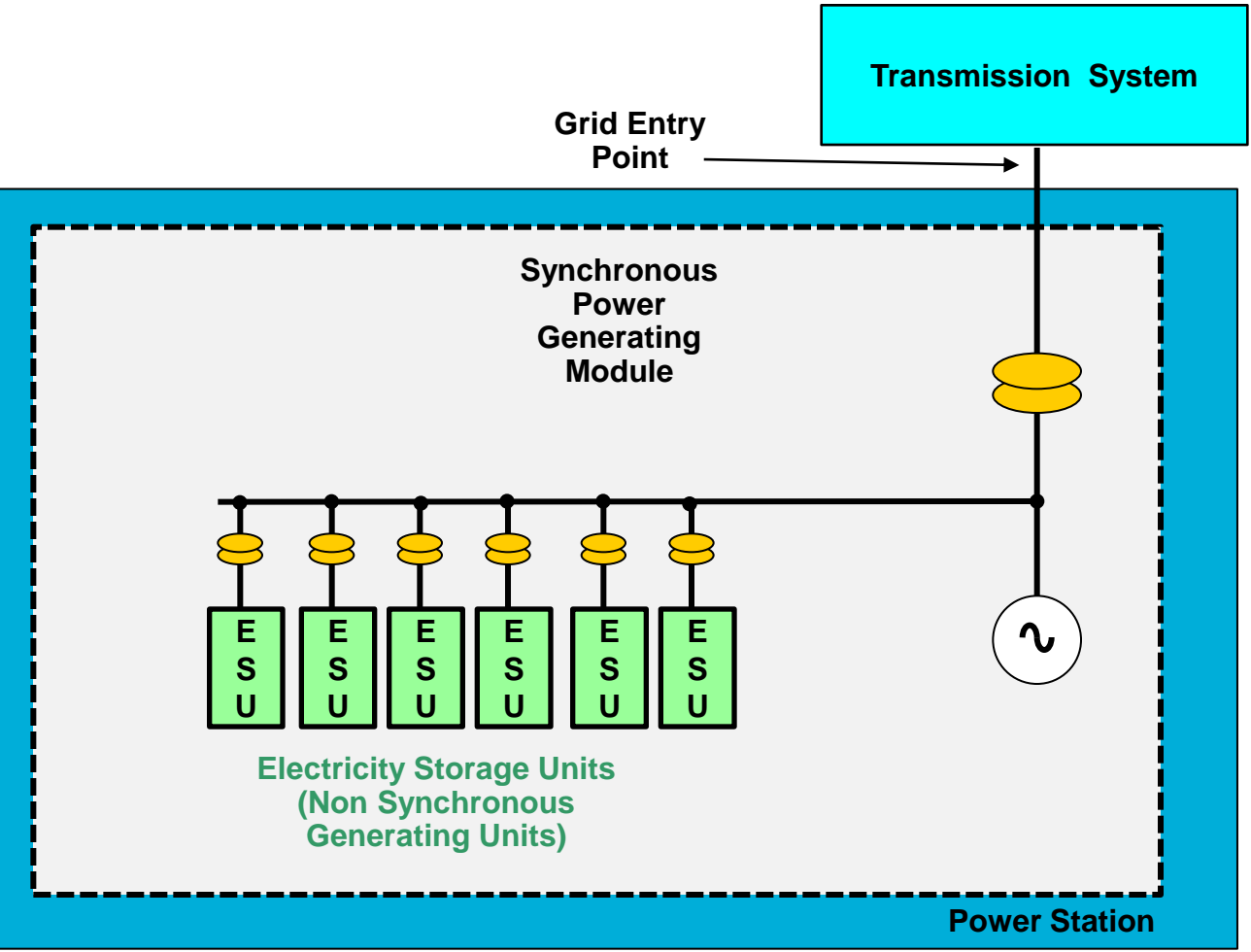
Configurations and Definitions

Electricity Storage Units Connected to a Distribution System



Configurations and Definitions

Electricity Storage Units connected to a Synchronous Power Generating Module – EU Code?



Next Steps

- Agree definition structure captures all possible permutations and combinations
- Consider EU implications of Synchronous Power Generating Modules
- Formulate technical requirements in more detail (ie mapping of storage to equivalent technologies already caught under the requirements of the Grid Code)
- Discussion