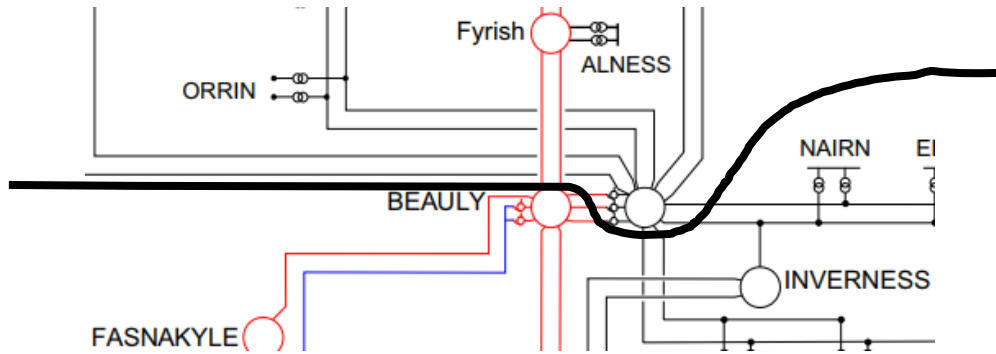


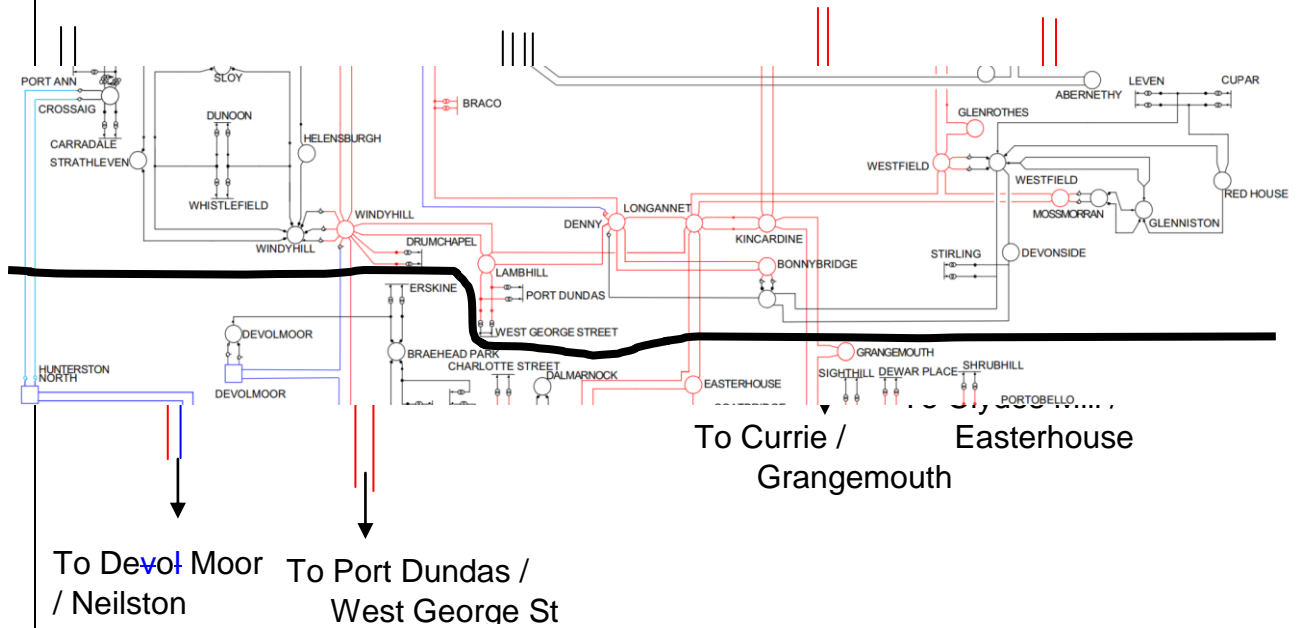
SCHEDULE FOUR

Criteria for Assessing Those Transmission Systems Affected by a Construction Project

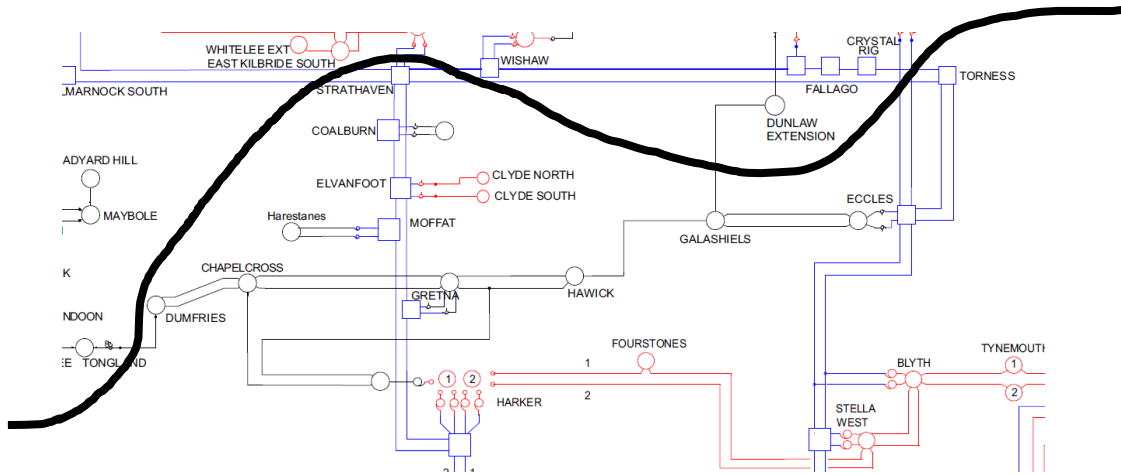
SHETL Boundary of Influence to SPTL



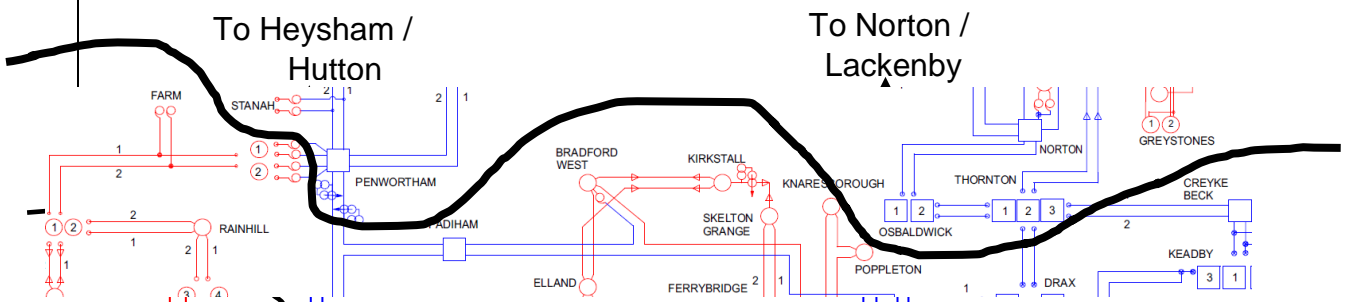
SPTL Boundary of Influence to SHETL



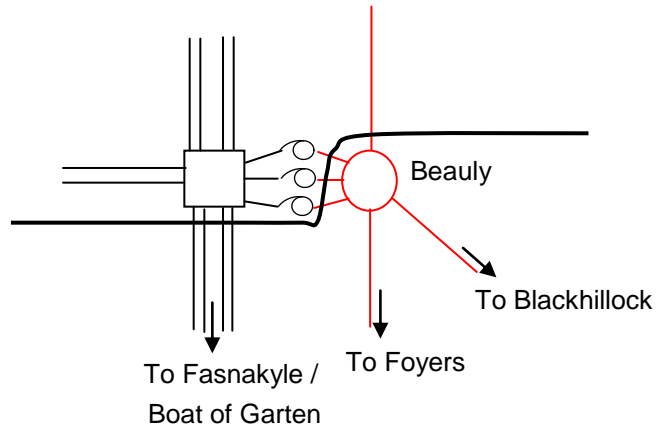
SPTL Boundary of Influence to NGET



NGET Boundary of Influence to SPTL



SHEL Boundary of Influence to SPTL



Key

- ==== 400kV
- ==== 275kV
- ==== 132kV